

# Installation, Operation and Maintenance Manual

## OneFlow<sup>®</sup> Anti-Scale System

Model OF1465, OF1665  
 OneFlow<sup>®</sup> Anti-Scale Systems  
 Chemical-Free, Salt-Free Scale Prevention

### ⚠ WARNING



Read this Manual BEFORE using this equipment. Failure to read and follow all safety and use information can result in death, serious personal injury, property damage, or damage to the equipment. Keep this Manual for future reference.

## Introduction

The Watts OneFlow<sup>®</sup> Anti-Scale System provides protection from scale formation on internal and external plumbing surfaces. The OneFlow<sup>®</sup> system can be installed at the point of entry to a building to treat both hot and cold water, or it can be located directly before a water heater, boiler, or other water using device that requires protection from hard water.

OneFlow<sup>®</sup> prevents scale by transforming the normal dissolved hardness minerals into undissolved crystal microparticles. These crystals stay suspended in the water and have a greatly reduced ability to react and attach to surfaces like dissolved hardness does. Therefore the problem of internal buildup of scale in pipes, water heaters and on fixtures and glass is greatly reduced.

OneFlow<sup>®</sup> is not a water softener – Water treatment chemistry (e.g. antiscalants, sequestrants, etc.) will most likely have to be changed to be compatible with OneFlow<sup>®</sup> treated water. Laundry and ware-washing chemistry will likewise require adjustments.

## OneFlow<sup>®</sup> Benefits

- Chemical free scale prevention. Cost savings and environmental benefits.
- Virtually maintenance free. No salt bags or other chemicals to buy, transport and store.
- No electricity, no wastewater, completely self-contained.
- Improves the efficiency of water-using appliances.
- Simple installation – no electrical and drain hookup.
- Safe for landscaping and lawn watering. No need for costly bypass plumbing.
- Compatible with all on-site and community wastewater treatment systems.
- Not subject to water softener restrictions and “bans”.
- OneFlow<sup>®</sup> treated water has no added sodium, is safe to drink and is well suited for use in food and beverage preparation.



# WATTS<sup>®</sup>

## NOTICE

Important notice about iron, manganese and copper in the water supply

## Iron and Manganese

Just as with conventional water softening media, OneFlow® needs to be protected from excess levels of certain metals that can easily coat the active surface, reducing its effectiveness over time. Public water supplies rarely, if ever, present a problem, but if the water supply is from a private well, confirm that the levels of iron (Fe) and manganese (Mn) are less than 0.3 mg/L and 0.05 mg/L respectively.

## Copper

Copper usually originates from new copper plumbing upstream of the OneFlow® system. If this condition exists, we recommend waiting a minimum of 4 weeks before placing the system in operation. This will allow the copper surfaces to be fully flushed and develop a natural protective surface. To further minimize any problem with excess copper, avoid applying excess flux on the inner surfaces of the pipe and to use a low-corrosivity water soluble flux listed under the ASTM B813 standard. Whenever new copper is installed upstream of a OneFlow system, it must be bypassed for at least four weeks.

The EPA drinking water standards allow for up to 1.3 ppm of copper. Therefore, it is very important to test the feed water for copper. Oneflow should not be installed if any copper is present in the feed water.

## CAUTION

- Do not let the system freeze. Damage to the tank may result.
- System must be operated in a vertical position. Do not lay it down during operation. The system may be placed in any position for shipping and installation but must be operated in the vertical position.
- Place the system on a smooth, level surface. Because the system operates in an upflow, fluidized bed mode, having a level surface is more important than with a softener or media filter.
- A bypass valve should be installed on every system to facilitate installation and service.
- Observe all local plumbing and building codes when installing the system.

## NOTICE RE: Installation

The OneFlow® system differs from a conventional softener or media filter in a number of key respects.

- The system is light and only partially filled with media. This is normal. The upflow operation of the system requires a lot of freeboard to allow the bed to fully fluidize.
- The system has no underbed so you can tip the system over without any fear of upsetting the media. This makes transportation and installation much easier than conventional systems.
- Because the OneFlow® system operates in the Upflow mode, the tank connections are opposite of what you're used to.
- Please see the Important note about iron, manganese and copper above.
- Please see the note about "Using OneFlow® with other water treatment equipment" on the next page.

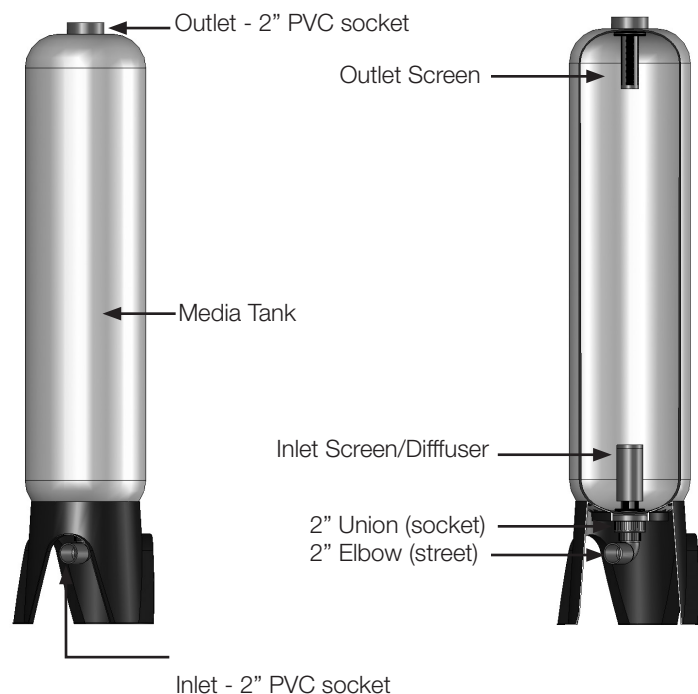
## WARNING

## Installation Precautions

- Do **NOT** install system on line pressure above 100psi.
- Do **NOT** install the system backwards with the feed water line connected to the outlet.
- Do **NOT** install system in direct sunlight or where system is exposed to harsh chemicals or may be subjected to being struck by moving equipment, carts, mops or any other item that may cause damage.
- Do **NOT** install the unit behind equipment where it may be difficult to access the system for filter replacement.
- Do **NOT** install the OneFlow® system near any source of heat. Also, do not install the system near any device or break out area that would be adversely effected by water.
- **IF** water hammer is evident, install water hammer arrestors before the OneFlow® unit.
- Always back-up valves and fittings with a wrench when installing a fitting to avoid turning the valve.

Position the OneFlow® unit in a suitable location.

## System Overview



## WARNING

## Using OneFlow® with other water treatment equipment.

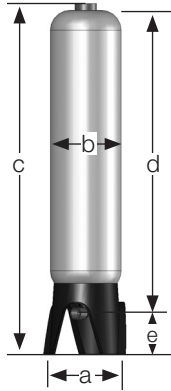
Due to the unique properties of OneFlow®, there are some unique requirements for using OneFlow® in conjunction with filtration or other forms of water treatment.

1. OneFlow® must be the last stage in the treatment chain. Do not install any filters after OneFlow® or before any devices for which scale prevention is required. POU filters, e.g. carbon or RO are exempt from this requirement.
2. Do not apply phosphate or any other antiscalant either before or after OneFlow®.

# Equipment Specifications

OneFlow® systems are complete, self-contained, loaded with media, and ready to use. A simple inlet and outlet connection is all that is required for installation. Please review operating pressures, temperatures and water chemistry limitations to ensure compatibility.

**NOTICE**  
Copper lines need to be passivated for a minimum of 4 weeks before placing unit into service. Not for use on closed loop systems.



**NOTICE**

- We recommend the installation of a dual-union ball-valve on the inlet and outlet to isolate the tank for servicing.
- A full bypass should be installed so that the full service flow can be routed around the system as needed for servicing.
- The OneFlow® system operates in the Up-Flow mode which is opposite of a conventional softener. The inlet is on the bottom, the outlet on the top.

pH	6.5 to 8.5
Hardness (maximum)	75 grains (1300 ppm CaCO3)
Water Pressure	15psi to 100psi (103 kPa to 6.9 bar)
Temperature	40°F to 110°F (5°C to 43°C)
Chlorine	< 3ppm
Iron (maximum)	0.3 mg/l
Manganese (maximum)	0.05 mg/l
Copper	None allowed
Oil & H2S	None allowed
Polyphosphate	None allowed
Silica (maximum)	10 ppm

## Mechanical Specifications

MODEL	1465	1665
Dry Weight (lbs)	54	68
Service Weight (lbs)	350	420

## Dimensions (nominal - inches)

	1465	1665
a	17	17
b	14	16
c*	79	79
d	65	65
e*	10.25	10.50

\* The overall height and the height of the inlet fitting varies due to material variations and assembly tolerances. Please allow additional clearance above the tank for making connections.

## Maximum Service Flow (gpm) vs. Water Temperature

### Continuous Duty Systems:

System	40°F	45°F	50°F	55°F	60°F	65°F	70°F
14-65	40	44	48	50	50	50	50
16-65	45	51	56	59	63	69	75

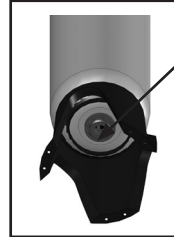
### Intermittent Duty Systems:

14-65	50 GPM at all temperatures
16-65	75 GPM at all temperatures

\* Intermittent duty is defined as less than 2 hours of Maximum Flow per 24 hour period. Higher Flow rates can be achieved by combining systems in an array.

## Installation

### Tighten the Tank Bushings



Tank bushing. Rotate Clockwise to tighten.

Lay the tank down and check the bushings on the inlet and outlet (bottom and top) of the tank. It is common for them to loosen during shipment. Tighten the bushings with a strap wrench as needed

### Install Piping

Connect the inlet and outlet plumbing according to your preferences and any applicable local codes. Include sample/drain ports with hose-bibb connections on the inlet and outlet piping to facilitate startup and service.



**NOTICE**  
It is very important to use flexible connections on the inlet and outlet plumbing. The tanks expand and contract with water pressure fluctuations. Flexible connectors will prevent plumbing and tank leaks. Order Part Number C515285 for Watts 2" Flexible Connectors (2 are required for installation)

### WARNING

### Support the Piping

The full weight of the piping and valves must be supported by uni-strut, pipe hangers or other means. The tank connections cannot support the weight of the piping. This photo from a multi-tank system installation shows properly supported piping.



## Start-Up

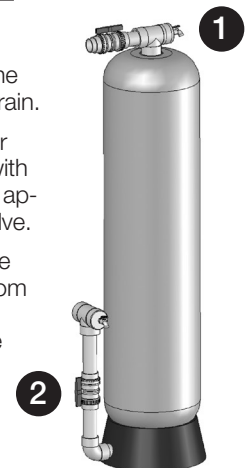
Connect a hose to the hose bibb on the outlet of the tank. Run the hose to a drain.

Slowly / partially open the supply water ball valve. Allow the tank to slowly fill with water. When a steady stream of water appears at the drain, close the supply valve.

Open the inlet and outlet valves on the system. Transfer the bypass valves from Bypass to the Service position. Open a nearby faucet downstream from the OneFlow® system to relieve any air.

Check for leaks. Repair as needed.

The system is now ready for service.

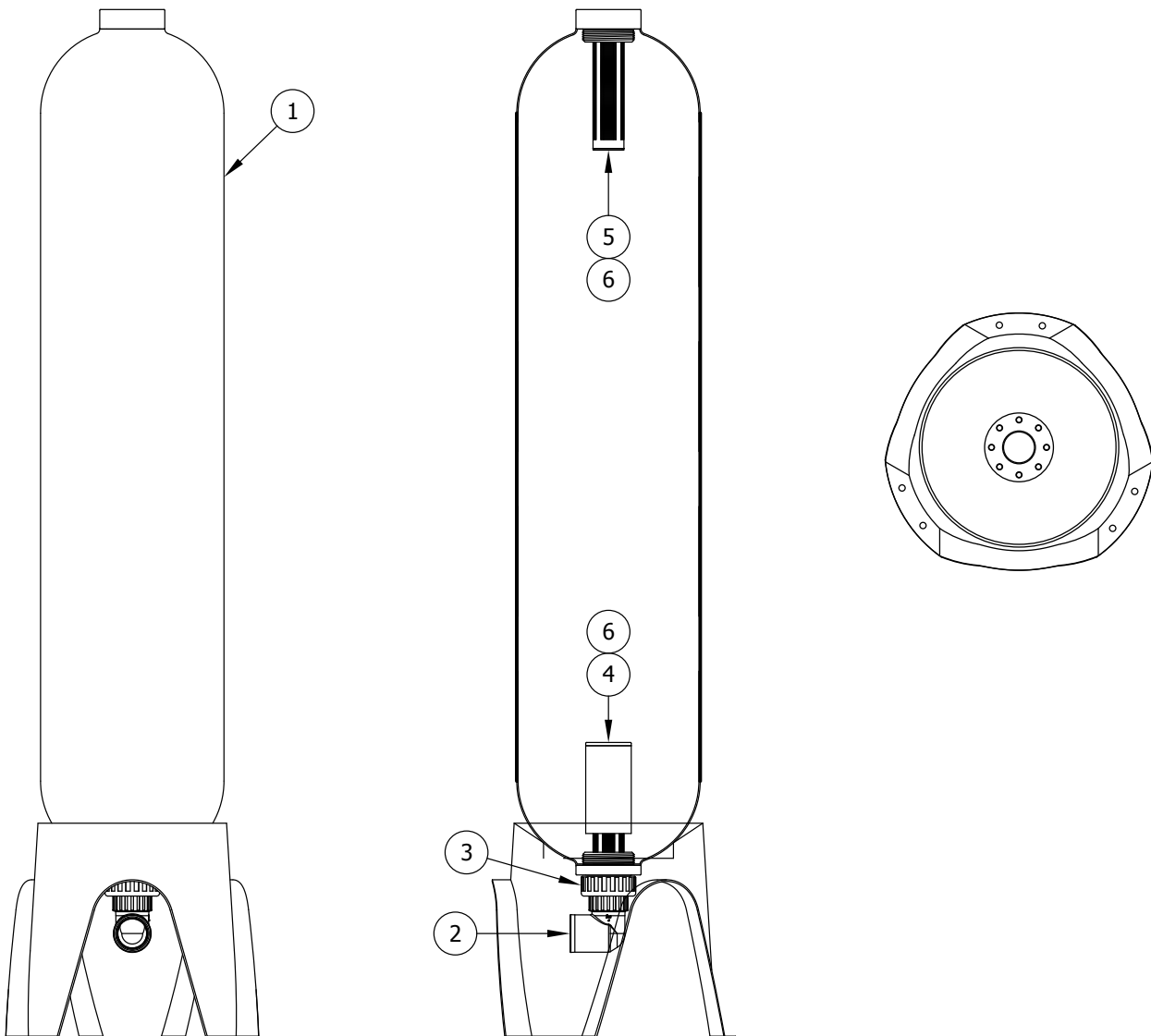


## Parts List

Item	QTY.	EDP #	DESCRIPTION
1	1	SEE TABLE BELOW	SEE TABLE BELOW FOR AVAILABLE TANK SIZES
2	1	7300740	PLB ELBOW PVC SCH 80 2.00" STREET SOC X SPIG
3	1	7300741	PLB UNION PVC SCH 80 2.00" SXS
4	1	7300421	TANK BUSHING 4" T X 2" SOC W/ DISTRIBUTOR SCREEN & CUP
5	1	7300423	TANK BUSHING 4" T X 2" SOC W/ DISTRIBUTOR SCREEN
6	1	7300420	O-RING #348 EPDM F/PVC HEAD
-	2	C515285	HOSE 2"MX 2"MNPT SF FLEX ASSY 12"LONG (SOLD SEPARATELY)
-	1	0002159	OF1465RM REPLACEMENT MEDIA (SOLD SEPARATELY)
-	1	0002160	OF1665RM REPLACEMENT MEDIA (SOLD SEPARATELY)

## Tank Sizes

Item	QTY.	PART #	DESCRIPTION
1	1	7300742	14" X 65" BLACK TANK 4"-#8 TOP & BOTTOM OPENING (50 GPM)
1	1	7300743	16" X 65" BLACK TANK 4"-#8 TOP OPENING & BOTTOM (75 GPM)



## Limited Warranty

Watts Regulator Company warrants its OneFlow® tank systems as follows:

- The OneFlow® tank system is warranted to be free of defects in materials and workmanship for 5 years from the date of original shipment.
- The OneFlow® media is warranted for performance for a period of 2 years from the date of the original installation when installed and operated in accordance with the instructions in the corresponding Installation and Operation Manual.

Watts Regulator Company warrants its OneFlow® cartridge systems as follows:

- The OneFlow® cartridge system is warranted to be free of defects in materials and workmanship for 1 year from the date of original shipment.
- OneFlow® cartridges are warranted for performance for a period of one year from the date of original installation when installed and operated in accordance with the instructions in the corresponding Installation and Operation Manual.
- Carbon replacement filter cartridges are not warranted to perform for any period of time because the service life of replacement carbon filter cartridges varies significantly with local water conditions and volume.

## Conditions

1. The OneFlow® system must be installed in applications with municipally supplied water adhering to EPA guidelines with the exception of copper and chlorine. See copper warnings on page 2 and condition number 5 below.
2. Any component failure must not result from abuse, fire, freezing or other acts of nature, violence, or improper installation.
3. Equipment must be installed and operated in compliance with the local plumbing codes and on an approved water supply.
4. Equipment is limited to use at water pressures and temperatures that do not exceed our published specifications.
5. Water supply must not exceed 2.0 PPM chlorine. For water supply exceeding 2.0 PPM chlorine, pretreatment is required. (Please contact your water treatment specialist.)
6. Information, including model number, serial number, and date of installation, must be provided for any claims pertaining to equipment in warranty.
7. Defective parts are subject to inspection by either Watts Regulator Company or any authorized representative before final commitment of warranty adjustment is made.
8. Watts Regulator Company reserves the right to make changes or substitutions in parts or equipment with material of equal quality or value and of then current production.

## Limitations

Our obligation under this warranty with respect to the tank or valve is limited to furnishing a replacement for, or at our option, repairing any part or parts to our satisfaction that prove defective within the warranty period stated above. Such replacement parts will be delivered to the owner F.O.B. nearest factory, at no cost, excluding freight and local labor charges, if any.

Our obligation under this warranty with respect to the OneFlow® media will be limited to furnishing a replacement for the media within two years from date of original installation. Such replacement media will be delivered to the owner F.O.B. nearest factory, at no cost, excluding freight and local labor charges, if any. Damage to the media due to chlorine, other oxidizers or fouling caused by local water conditions or any other operation outside of the limits shown under Specifications, is not covered by this warranty.

THE WARRANTY SET FORTH HEREIN IS GIVEN EXPRESSLY AND IS THE ONLY WARRANTY GIVEN BY WATTS REGULATOR COMPANY WITH RESPECT TO THE PRODUCT. WATTS REGULATOR COMPANY MAKES NO OTHER WARRANTIES, EXPRESS OR IMPLIED. WATTS REGULATOR COMPANY HEREBY SPECIFICALLY DISCLAIMS ALL OTHER WARRANTIES, EXPRESS OR IMPLIED, INCLUDING BUT NOT LIMITED TO THE IMPLIED WARRANTIES OF MERCHANTABILITY AND FITNESS FOR A PARTICULAR PURPOSE.

The remedy described under this warranty shall constitute the sole and exclusive remedy for breach of warranty, and Watts Regulator Company shall not be responsible for any incidental, special or consequential damages, including without limitation, freight, handling, lost profits or the cost of repairing or replacing other property which is damaged if this product does not work properly, other costs resulting from labor charges, delays, vandalism, negligence, fouling caused by foreign material, damage from adverse water conditions, chemical, or any other circumstances over which Watts Regulator Company has no control. This warranty shall be invalidated by any abuse, misuse, misapplication or improper installation of the product.

Some states do not allow limitations on how long an implied warranty lasts, and some states do not allow the exclusion or limitation of incidental or consequential damages. Therefore the above limitations may not apply to you. This warranty gives you specific legal rights, and you may have other rights that vary from state to state. You should consult applicable state laws to determine your rights. SO FAR AS IS CONSISTENT WITH APPLICABLE STATE LAW, ANY IMPLIED WARRANTIES THAT MAY NOT BE DISCLAIMED, INCLUDING THE IMPLIED WARRANTIES OF MERCHANTABILITY AND FITNESS FOR A PARTICULAR PURPOSE, ARE LIMITED IN DURATION TO THE APPLICABLE WARRANTY PERIODS STATED ABOVE.

### WARNING

This product contains chemicals known to the State of California to cause cancer and birth defects or other reproductive harm. For more information: [www.watts.com/prop65](http://www.watts.com/prop65)



A Watts Water Technologies Company

USA: 815 Chestnut St., No. Andover, MA 01845-6098; [www.watts.com](http://www.watts.com)

Canada: 5435 North Service Rd., Burlington, ONT. L7L 5H7; [www.wattscanada.com](http://www.wattscanada.com)

# Manual de instalación, funcionamiento y mantenimiento

## OneFlow<sup>®</sup> Anti-Scale System

Modelo OF1465, OF1665

Sistemas antisarro OneFlow<sup>®</sup>

Prevención de sarro sin sustancias  
químicas, sin sal

### Introducción

El sistema antisarro OneFlow<sup>®</sup> de Watts brinda protección contra la formación de sarro en las superficies internas y externas de las cañerías. El sistema OneFlow<sup>®</sup> puede instalarse en el punto de entrada de un inmueble para tratar tanto el agua caliente como la fría, o puede ser colocado directamente antes de un calentador, caldera o cualquier otro artefacto que utilice agua y que requiera protección contra el agua dura.

OneFlow<sup>®</sup> previene el sarro al transformar los minerales de dureza disueltos normales en micropartículas de cristal sin disolver. Estos cristales se mantienen suspendidos en el agua y tienen una capacidad muy reducida para reaccionar y adherirse a superficies tal como lo hacen los de dureza disueltos. Por lo tanto, el problema de la acumulación interna de sarro en las cañerías, calentadores de agua y en artefactos y vidrios se reduce notablemente.

OneFlow<sup>®</sup> no es un ablandador de agua. Es muy probable que sea necesario cambiar los tratamientos químicos del agua (por ejemplo: inhibidores de sarro, secuestrantes, etc.) para que sean compatibles con el agua tratada con OneFlow<sup>®</sup>. Los químicos utilizados para el lavado de ropa y piezas también necesitarán ciertos ajustes.

### Ventajas de OneFlow<sup>®</sup>

- Prevención de sarro sin sustancias químicas. Permite ahorrar costos y beneficiar al medio ambiente.
- Prácticamente no necesita mantenimiento. No se necesita comprar, transportar ni almacenar bolsas de sal u otros químicos.
- Sin uso de electricidad, sin desperdicio de agua, completamente autónomo.
- Mejora la eficacia de los artefactos que utilizan agua.
- Instalación simple: no se necesitan conexiones eléctricas ni de desagüe.
- Seguro para el riego de céspedes y jardines. No requiere costosas cañerías de derivación.
- Es compatible con todos los sistemas de tratamiento de agua residual in situ y comunitarios.
- No está sujeto a las restricciones o "prohibiciones" de los ablandadores de agua.
- El agua tratada con OneFlow<sup>®</sup> no contiene sodio agregado, es segura para beber y puede usarse en preparaciones de comidas y bebidas.



**WATTS<sup>®</sup>**

## **Aviso importante acerca de la presencia de hierro, manganeso y cobre en el suministro de agua**

### **Hierro y manganeso**

Tal como los materiales convencionales para ablandar el agua, OneFlow® necesita protección contra los niveles excesivos de ciertos metales que pueden cubrir fácilmente la superficie activa y reducir su eficacia con el paso del tiempo. El suministro de agua pública raramente o nunca presenta problemas. Sin embargo, si el suministro de agua proviene de un pozo privado, confirme que los niveles de hierro (Fe) y manganeso (Mn) sean inferiores a 0,3 mg/L y 0,05 mg/L respectivamente. El cobre deberá ser inferior a 1,3 mg/L.

### **Cobre**

El cobre generalmente se origina de cañerías de cobre nuevas corriente arriba del sistema OneFlow®. Si se presenta esta situación, recomendamos esperar como mínimo 4 semanas antes de poner el sistema en funcionamiento. Esto permitirá que las superficies de cobre sean completamente purgadas y desarrollen una superficie protectora natural. Para minimizar cualquier problema causado por un exceso de cobre, evitar aplicar fundente en exceso en las superficies internas de la cañería y usar uno de los fundentes de baja corrosión solubles en agua incluidos en la norma ASTM B813. Siempre que se instalen cañerías de cobre nuevas corriente arriba de un sistema OneFlow, debe efectuarse una derivación durante cuatro semanas como mínimo.

Los estándares de agua potable de EPA permiten hasta 1,3 ppm de cobre. Por tanto, es muy importante analizar el agua del suministro para ver si contiene cobre. Oneflow no debe instalarse si se encuentra cualquier cantidad de cobre en el agua del suministro.

## **¡Advertencias!**

- No permitir que el sistema se congele. El depósito podría dañarse.
- El sistema debe funcionar en posición vertical. No colocarlo en posición horizontal durante su funcionamiento. El sistema puede ubicarse de cualquier posición para el transporte y la instalación, pero durante su funcionamiento debe estar en posición vertical.
- Colocar el sistema en una superficie lisa y plana. Debido a que el sistema funciona en un modo de lecho fluidificado y caudal ascendente, el hecho de tener una superficie nivelada es más importante que en el caso de los ablandadores o filtros de materiales.
- En cada sistema se deberá instalar una válvula de derivación para facilitar la instalación y el mantenimiento.
- Al instalar el sistema, respetar todos los códigos locales relativos a las cañerías y a la construcción.

## **Notas para el instalador**

En varios aspectos fundamentales, el sistema OneFlow® es diferente a los ablandadores o filtros de materiales convencionales.

- El sistema es liviano y se llena sólo parcialmente con el material. Esto es normal. El funcionamiento de caudal ascendente del sistema requiere que haya mucho margen libre para permitir que el lecho se fluidifique totalmente.
- El sistema no posee un lecho inferior, por lo tanto se puede dar vuelta sin ningún temor de volcar los materiales. Esto hace que el transporte y la instalación sean mucho más simples que en los sistemas convencionales.
- Debido a que el sistema OneFlow® funciona en el modo de caudal ascendente, las conexiones del depósito son diferentes a las que se acostumbra utilizar.
- Leer el Aviso importante acerca de la presencia de hierro, manganeso y cobre antes detallado.
- Leer el aviso acerca del "Uso de OneFlow® con otros equipos para tratamiento del agua" que se encuentra enseguida.

## **Precauciones en la instalación**

- **NO** instalar el sistema a una presión de línea superior a 100 psi.
- **NO** instalar el sistema al revés con la tubería de agua de suministro conectada a la salida.
- **NO** instalar el sistema bajo la luz directa del sol o donde quede expuesto a sustancias químicas agresivas o pueda recibir golpes por el movimiento de equipos, carros, mopas o cualquier otro elemento que pueda causar daños.
- **SI** se observa un golpe de ariete, instalar dispositivos anti-golpe de ariete antes de la unidad OneFlow®.
- Siempre retroceder las válvulas y accesorios con una llave al instalar un accesorio para evitar girar la válvula.
- **NO** instalar la unidad detrás de equipos de modo que se dificulte el acceso al sistema para el reemplazo del filtro. Colocar la unidad OneFlow® en un lugar adecuado.

NO instalar el sistema OneFlow® cerca de ninguna fuente de calor. Tampoco instalar el sistema cerca de dispositivos o zonas que puedan sufrir daños por los efectos del agua.

## **Descripción general del sistema**



## **Uso de OneFlow® con otros equipos para tratamiento del agua.**

Debido a las propiedades únicas de OneFlow®, existen algunos requisitos especiales para usar OneFlow® junto con tratamientos por filtración u otros métodos de tratamiento del agua.

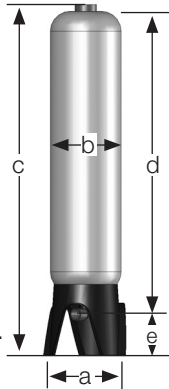
1. OneFlow® debe ser la última etapa en la cadena de tratamiento. No instalar ningún filtro luego de OneFlow® o antes de cualquier dispositivo para el que se requiera la prevención de sarro. Este requisito no es necesario para los filtros en el punto de uso, como por ejemplo de carbono u ósmosis inversa.
2. No aplicar fosfato ni cualquier otro inhibidor de sarro ya sea antes o después de OneFlow®.

## Especificaciones del equipo

Los sistemas OneFlow® son completos, autónomos, tienen material cargado y están listos para usar. Para instalarlos sólo se necesita una simple conexión de entrada y de salida. Observar las limitaciones operativas acerca de las presiones, temperaturas y composición química del agua a fin de garantizar la compatibilidad.

### **i** Avisos importantes

Es necesario pasivar las líneas de cobre durante un mínimo de 4 semanas antes de poner en servicio la unidad. No debe utilizarse en sistemas de lazo cerrado.



## Especificaciones

pH	6,5 a 8,5
Dureza (máxima)	75 granos (1300 ppm CaCO3)
Presión del agua	15 psi a 100 psi (103 kPa a 6,9 bares)
Temperatura	5 °C a 43 °C (40 °F a 110 °F)
Cloro	< 3 ppm
Hierro (máximo)	0,3 mg/l
Manganeso (máximo)	0,05 mg/l
Cobre	No se permite ninguno
Petróleo y H2S	No se permite ninguno
Polifosfato	No se permite ninguno
Sílice (máximo)	10 ppm

## Especificaciones mecánicas

MODELO	1465	1665
Peso seco (libras)	54	68
Peso de servicio (libras)	350	420

## Dimensiones (nominal - pulgadas)

	1465	1665
a	17	17
b	14	16
c*	79	79
d	65	65
e*	10,25	10,50

\* La altura total y la altura del accesorio de entrada varían según las variaciones del material y las tolerancias de montaje. Dejar un espacio adicional sobre el depósito para realizar las conexiones.

## Caudal de servicio máx. (gpm) vs. Temperatura del agua

### Sistemas de funcionamiento continuo:

Sistema	40 °F	45 °F	50 °F	55 °F	60 °F	65 °F	70 °F
14-65	40	44	48	50	50	50	50
16-65	45	51	56	59	63	69	75

### Sistemas de funcionamiento intermitente:

14-65	50 gpm en todas las temperaturas
16-65	75 gpm en todas las temperaturas

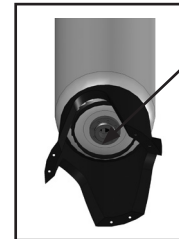
\* Se considera funcionamiento intermitente al inferior a 2 horas de caudal máximo durante un periodo de 24 horas. Se pueden obtener índices de caudal superiores combinando los sistemas en serie.

## **i** Avisos importantes

- Recomendamos instalar una válvula esférica de unión doble en la entrada y la salida a fin de aislar el depósito para el mantenimiento.
- Deberá montarse una derivación total para que el caudal de servicio total pueda dirigirse en el sistema del modo en que sea necesario para el mantenimiento.
- El sistema OneFlow® funciona en el modo de caudal ascendente a diferencia de un ablandador convencional. La entrada se encuentra en la parte inferior y la salida en la parte superior.

## Instalación

### Ajustar los casquillos del depósito



Casquillo del depósito. Girar en sentido horario para ajustar.

Colocar el depósito en posición horizontal y revisar los casquillos en la entrada y salida (parte superior e inferior) del depósito. Es normal que se aflojen durante el envío. Ajustar los casquillos con una llave de correa según sea necesario.

### Instalación de las cañerías

Conecte las tuberías de entrada y salida según sus preferencias y cualquier reglamento local aplicable. Incluya puertos de muestreo/drenaje con conexiones de grifo de manguera en las tuberías de entrada y salida para facilitar el arranque y el servicio.



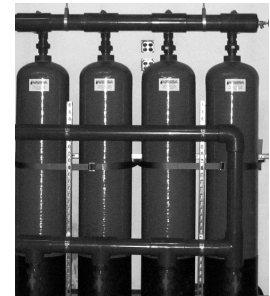
### **i** Avisos importantes

Es muy importante utilizar conexiones flexibles en las tuberías de entrada y salida. El depósito se expande y se contrae con las fluctuaciones de la presión del agua. Los conectores flexibles evitarán las fugas en las tuberías y el depósito. Número de pieza de pedido C515285 para conectores flexibles de 2" de Watts (se requieren 2 para la instalación)



### Sujetar la cañería

El peso total de la cañería y las válvulas debe estar sujeto mediante un tubo de una sola pieza, soportes colgantes para caños u otros medios. Las conexiones del depósito no pueden sostener el peso de las cañerías. Esta imagen de la instalación de un sistema con depósitos múltiples muestra cómo sujetar las cañerías adecuadamente.



## Arranque

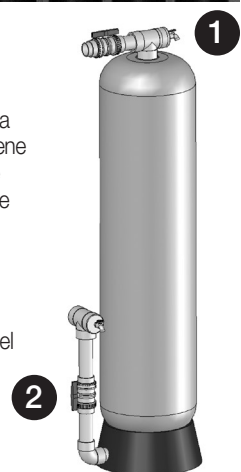
Conectar una manguera al grifo en la salida del depósito. Llevar la manguera hacia un desagüe.

1. Abrir lentamente en forma parcial la válvula esférica de suministro de agua. Dejar que el depósito se llene con agua lentamente. Cuando salga un chorro de agua constante por el desagüe, cerrar la válvula de suministro.

2. Abrir las válvulas de entrada y de salida en el sistema. Transferir las válvulas de derivación de la posición de Derivación a la posición de Servicio. Abrir una llave cercana que vaya corriente abajo del sistema OneFlow® para eliminar el aire.

Revisar en busca de fugas. Repararlas si es necesario.

El sistema ahora está listo para ser utilizado.



2

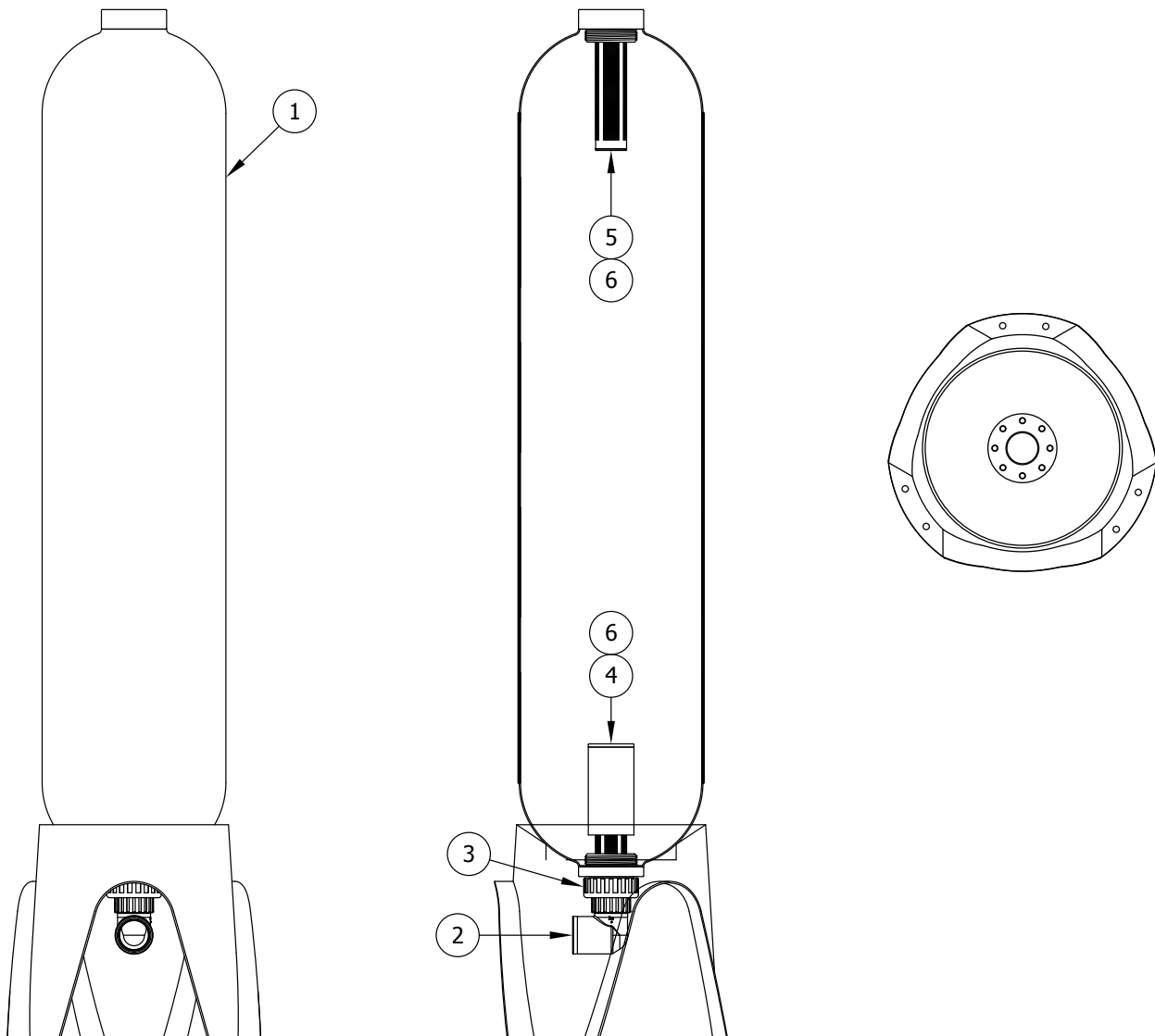


## Lista de piezas

Ítem	CANT.	N.º EDP	DESCRIPCIÓN
1	1	CONSULTAR TABLA A CONTINUACIÓN	CONSULTAR LOS TAMAÑOS DE DEPÓSITOS DISPONIBLES EN LA TABLA A CONTINUACIÓN
2	1	7300740	CODO PLB PVC SCH 80 2,00" STREET SOC X SPIG
3	1	7300741	UNIÓN PLB PVC SCH 80 2,00" SXS
4	1	7300421	CASQUILLO DE DEPÓSITO 4" T X 2" SOC CON FILTRO DISTRIBUIDOR Y COPA
5	1	7300423	CASQUILLO DE DEPÓSITO 4" T X 2" SOC CON FILTRO DISTRIBUIDOR
6	1	7300420	JUNTA TÓRICA N.º 348 EPDM F/CABEZAL PVC
-	2	C515285	MANGUITO 2"MX 2"MNPT SF FLEX CONJUNTO 12" DE LARGO (SE VENDE POR SEPARADO)
-	1	0002159	OF1465RM MEDIO DE REPUESTO (SE VENDE POR SEPARADO)
-	1	0002160	OF1665RM MEDIO DE REPUESTO (SE VENDE POR SEPARADO)

## Tamaños del depósito

Ítem	CANT.	N.º PIEZA	DESCRIPCIÓN
1	1	7300742	14" X 65" DEPÓSITO NEGRO 4"-#8 ABERTURA SUPERIOR E INFERIOR (50 GPM)
1	1	7300743	16" X 65" DEPÓSITO NEGRO 4"-#8 ABERTURA SUPERIOR E INFERIOR (75 GPM)



## Garantía limitada

Watts Regulator Company garantiza sus sistemas de depósito OneFlow® como se describe a continuación:

- El sistema de depósito OneFlow® está garantizado como libre de defectos en materiales y manufactura por 5 años desde la fecha del envío original.
- El material OneFlow® está garantizado en cuanto a su rendimiento por un período de 2 años desde la fecha de la instalación original en tanto se haya instalado y utilizado de acuerdo a las instrucciones del Manual de instalación y uso correspondiente.

Watts Regulator Company garantiza sus sistemas de cartuchos OneFlow® como se describe a continuación:

- El sistema de cartuchos OneFlow® está garantizado como libre de defectos en materiales y manufactura por 1 año desde la fecha del envío original.
- Los cartuchos OneFlow® están garantizados en cuanto a su rendimiento por un período de un año desde la fecha de la instalación original en tanto se hayan instalado y utilizado de acuerdo a las instrucciones del Manual de instalación y uso correspondiente.
- No se garantiza el funcionamiento de los cartuchos de repuesto para filtros de carbono por ningún período dado que la vida útil de los cartuchos de repuesto para filtros de carbono varía significativamente de acuerdo a las condiciones y el volumen del agua local.

## Condiciones

1. El sistema OneFlow® debe instalarse en aplicaciones con agua del suministro municipal que cumplan las pautas de la EPA a excepción del cobre y el cloro. Consulte las advertencias sobre el cobre en la página 2 y el número de condición 5 a continuación.
2. Los fallos en los componentes no deben producirse como consecuencia de uso indebido, incendio, congelamiento u otros factores como fuerzas de la naturaleza, actos de violencia o instalación incorrecta.
3. El equipo debe instalarse y utilizarse de conformidad con los códigos locales relativos a las cañerías y con un suministro de agua aprobado.
4. El uso del equipo está limitado a las temperaturas y presiones de agua que no excedan nuestras especificaciones publicadas.
5. El suministro de agua no debe exceder 2 ppm de cloro. En suministros de agua que excedan 2 ppm de cloro, se requiere tratamiento previo. (Contactar al especialista en tratamiento de agua.)
6. Para cualquier reclamo en relación con los equipos en garantía, se debe proporcionar información incluyendo el número de modelo, el número de serie y la fecha de instalación.
7. Las piezas defectuosas están sujetas a inspección por parte de Watts Regulator Company o cualquier representante autorizado antes de que se asuma el compromiso final de ajuste de garantía.
8. Watts Regulator Company se reserva el derecho a realizar cambios o sustituciones en las piezas o el equipo por materiales de valor o calidad equivalente y producción vigente en el momento.

## Limitaciones

Nuestra obligación bajo la presente garantía con respecto al depósito o la válvula está limitada al reemplazo o la reparación, a nuestra elección, de cualquier pieza o piezas a nuestra satisfacción con defectos comprobados dentro del período de garantía antes estipulado. Tales piezas de repuesto serán entregadas al propietario bajo condición Libre a bordo (Free on Board, FOB) en la fábrica más cercana, sin costo alguno, sin incluir gastos de flete y mano de obra local, de corresponder.

Nuestra obligación bajo la presente garantía con respecto al material OneFlow® estará limitada a suministrar repuestos por el material durante dos años desde la fecha de la instalación original. Tales materiales de repuesto serán entregados al propietario bajo condición Libre a bordo (Free on Board, FOB) en la fábrica más cercana, sin costo alguno, sin incluir gastos de flete y mano de obra local, de corresponder. Esta garantía no cubre los materiales dañados a causa del cloro, otros oxidantes o la contaminación por las condiciones del agua local o cualquier otra operación fuera de los límites indicados en la sección Especificaciones.

LA GARANTÍA AQUÍ ESTIPULADA SE OTORGA EN FORMA EXPRESA Y ES LA ÚNICA GARANTÍA OTORGADA POR WATTS REGULATOR COMPANY EN RELACIÓN CON EL PRODUCTO. WATTS REGULATOR COMPANY NO OTORGA NINGUNA OTRA GARANTÍA, YA SEA EXPRESA O IMPLÍCITA. WATTS REGULATOR COMPANY POR LA PRESENTE RENUNCIA ESPECÍFICAMENTE A TODAS LAS DEMÁS GARANTÍAS, EXPRESAS O IMPLÍCITAS, INCLUYENDO SIN LIMITACIÓN, LAS GARANTÍAS IMPLÍCITAS DE APTITUD PARA LA COMERCIALIZACIÓN E IDONEIDAD PARA UN PROPÓSITO EN PARTICULAR.

La reparación descrita en esta garantía constituirá el único y exclusivo resarcimiento por incumplimiento de garantía, y Watts Regulator Company no se hará responsable por daños fortuitos, especiales o derivados, incluyendo sin limitación, los gastos de flete y manipuleo, la pérdida de ganancias o el costo de reparación o reemplazo de otra propiedad que resulte dañada por el mal funcionamiento de este producto, otros costos resultantes por mano de obra, retardos, vandalismo, negligencia, contaminación ocasionada por materiales extraños, daños a causa de condiciones adversas del agua, sustancias químicas o cualquier otra circunstancia sobre la cual Watts Regulator Company no tenga control. Esta garantía no tendrá validez en cualquier caso de abuso, uso indebido, aplicación incorrecta o instalación inadecuada del producto.

Algunos estados no permiten limitaciones en la duración de una garantía implícita y otros estados no permiten la exclusión o limitación de daños fortuitos o derivados. Por lo tanto, es posible que las limitaciones anteriores no sean aplicables en su caso. Esta garantía le otorga derechos legales específicos. Usted podría tener también otros derechos que varían según el Estado en cuestión. Usted debe consultar las leyes estatales aplicables para determinar sus derechos. EN LA MEDIDA EN QUE SEA CONGRUENTE CON LAS LEYES ESTATALES APLICABLES, CUALQUIER GARANTÍA IMPLÍCITA QUE NO SEA RECHAZADA, INCLUYENDO LAS GARANTÍAS IMPLÍCITAS DE APTITUD PARA LA COMERCIALIZACIÓN E IDONEIDAD PARA UN PROPÓSITO EN PARTICULAR, SE LIMITA EN SU DURACIÓN A LOS PERÍODOS DE GARANTÍA APLICABLES ESTIPULADOS PRECEDENTEMENTE.

**ADVERTENCIA:** Este producto contiene sustancias químicas que en el Estado de California se conocen como causantes de cáncer y malformaciones u otros daños reproductivos.

Para más información: [www.watts.com/prop65](http://www.watts.com/prop65)



Una compañía de Watts Water Technologies

EE.UU.: 815 Chestnut St., No. Andover, MA 01845-6098; [www.watts.com](http://www.watts.com)

Canadá: 5435 North Service Rd., Burlington, ONT. L7L 5H7; [www.wattscanada.ca](http://www.wattscanada.ca)

# Manuel d'installation, de fonctionnement et d'entretien

## OneFlow<sup>®</sup> Anti-Scale System

Modèle OF1465, OF1665  
Systèmes antitartre OneFlow<sup>®</sup>  
Prévention contre le tartre  
sans produits chimiques ni sel

### Introduction

Le système antitartre OneFlow<sup>®</sup> de Watts offre une protection contre la formation de tartre sur les surfaces de plomberie internes et externes. Le système OneFlow<sup>®</sup> peut être installé au point d'entrée d'un bâtiment pour traiter l'eau chaude et l'eau froide, ou il peut être placé directement avant un chauffe-eau, une chaudière ou un autre appareil fonctionnant à l'eau nécessitant une protection contre l'eau dure.

OneFlow<sup>®</sup> permet d'éviter le tartre en transformant les minéraux dissous de dureté normale en microparticules de cristal non dissoutes. Ces cristaux restent en suspension dans l'eau et leur capacité à réagir et à se fixer sur les surfaces est considérablement réduite comparée aux minéraux durs dissous. En conséquence, le problème d'accumulation de tartre interne dans les tuyaux, les chauffe-eaux ainsi que sur les appareils et le verre est considérablement réduit.

OneFlow<sup>®</sup> n'est pas un adoucisseur d'eau. La chimie du traitement de l'eau (par exemple antitartres, séquestrants, etc.) devra très probablement être modifiée pour être compatible avec l'eau traitée avec le système OneFlow<sup>®</sup>. La chimie de lavage des vêtements et de la vaisselle devra également être modifiée.

### Avantages du système OneFlow<sup>®</sup>

- Prévention contre le tartre sans produits chimiques. Économies et respect de l'environnement.
- Pratiquement sans entretien. Pas de sacs de sel ou d'autres produits chimiques à acheter, transporter et stocker.
- Pas d'électricité et d'eau usée, entièrement autonome.
- Améliore l'efficacité des appareils fonctionnant à l'eau.
- Installation simple, sans connexion électrique ni évacuation requise.
- Convient au paysagisme et à l'arrosage des gazons. Aucun besoin de plomberie de dérivation coûteuse.
- Compatible avec tous les systèmes de traitement des eaux usées collectifs et sur site.
- Non soumis aux restrictions et interdictions concernant les adoucisseurs d'eau.
- L'eau traitée avec le système OneFlow<sup>®</sup> n'a pas de sodium ajouté, peut être bue et convient parfaitement à une utilisation pour la préparation d'aliments et de boissons.



**WATTS<sup>®</sup>**

## Avis important sur le fer, le manganèse et le cuivre dans l'alimentation en eau

### Fer et manganèse

Comme avec les médias d'adoucissement de l'eau conventionnels, le système OneFlow® doit être protégé des niveaux excessifs de certains métaux pouvant recouvrir la surface active, réduisant son efficacité avec le temps. L'eau du service public présente très rarement un problème. Cependant, si l'alimentation en eau provient d'un puits privé, confirmer que les niveaux de fer (Fe) et de manganèse (Mn) sont inférieurs à 0,3 mg/l et 0,05 mg/l respectivement. La teneur en cuivre doit être inférieure à 1,3 mg/l.

### Cuivre

Le cuivre provient généralement d'un système de plomberie neuf en amont du système OneFlow®. Dans ce cas, nous vous conseillons d'attendre au moins 4 semaines avant d'utiliser le système. Ceci permettra aux surfaces en cuivre d'être bien rincées et de développer une surface protectrice naturelle. Pour minimiser encore plus les problèmes dus à un excès de cuivre, éviter d'appliquer un flux excessif sur les surfaces internes du tuyau et utiliser un flux soluble à l'eau à faible corrosion conforme à la norme ASTM B813. Dès qu'un nouveau cuivre est installé en amont d'un système OneFlow, il doit être contourné pendant au moins quatre semaines.

Les normes de l'EPA relatives à l'eau potable autorisent maximum 1,3 ppm de cuivre. Il est donc très important de tester le cuivre dans l'eau d'alimentation. N'installez pas le système OneFlow si du cuivre se trouve dans l'eau d'alimentation.

## Attention!

- Ne pas laisser le système geler. Ceci pourrait endommager le réservoir.
- Le système doit être utilisé à la verticale. Ne pas l'allonger durant le fonctionnement. Le système peut être placé dans n'importe quelle position pour l'expédition et l'installation mais il doit être utilisé en position verticale.
- Placer le système sur une surface lisse et plate. Puisque le système fonctionne en mode de débit ascendant à lit fluidisé, l'installation sur une surface plate est encore plus importante qu'avec un adoucisseur ou un filtre à média filtrant.
- Un robinet de dérivation doit être installé sur chaque système pour faciliter l'installation et l'entretien.
- Respecter tous les codes de plomberie et de construction locaux lors de l'installation du système.

## Avis à l'installateur

Le système OneFlow® diffère des adoucisseurs conventionnels ou des filtres à média filtrant sur plusieurs points clés.

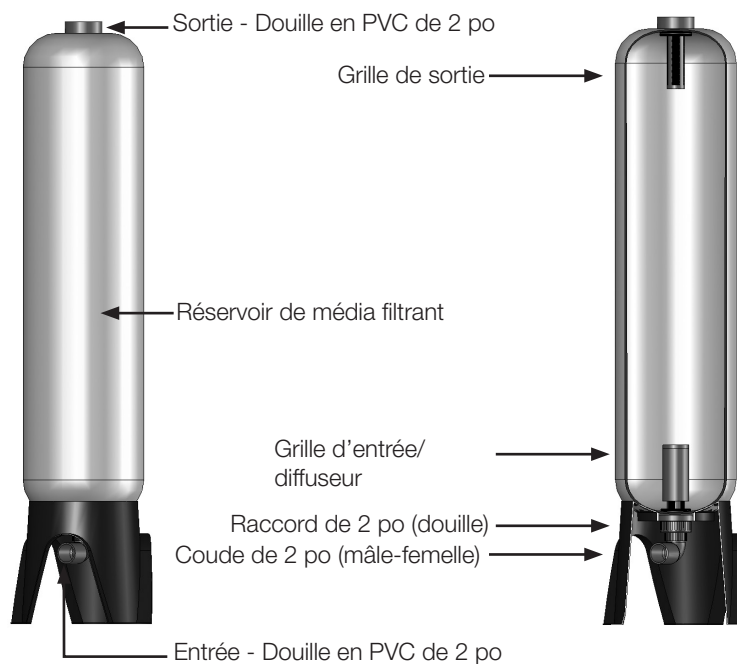
- Le système est léger et partiellement rempli de média filtrant uniquement. Ceci est normal. Le fonctionnement en débit ascendant du système nécessite un grand espace libre pour que le lit puisse complètement se fluidiser.
- Le système n'est pas muni d'un sous-lit de sorte qu'il peut être incliné sans crainte de renverser le média filtrant. Ceci facilite considérablement le transport et l'installation, comparé aux systèmes conventionnels.
- Le système OneFlow® fonctionnant en mode de débit ascendant, les raccords du réservoir sont à l'opposé des installations traditionnelles.
- Consulter la remarque importante concernant la présence de fer, de manganèse et de cuivre ci-dessus.
- Consulter également la remarque concernant l'utilisation du système OneFlow® avec un autre équipement de traitement de l'eau à mentionnée ci-après.

## Précautions d'installation!

- **NE PAS** installer le système sur une pression de conduite supérieure à 100 psi.
- **NE PAS** installer le système à l'envers avec la conduite d'eau d'alimentation raccordée à la sortie.
- **NE PAS** installer le système directement à la lumière du soleil et ne pas l'exposer à des produits chimiques corrosifs ou à des impacts causés par des équipements mobiles, des chariots, des balais ou tout autre article pouvant provoquer des dommages.
- **SI** un coup de bélier est évident, installer des antibéliers devant l'unité OneFlow®.
- Toujours tenir les robinets et les raccords avec une clé lors de l'installation d'un raccord pour éviter de tourner le robinet.
- **NE PAS** installer l'unité derrière un équipement où il serait difficile d'accéder au système pour le remplacement du filtre.

Placer l'unité OneFlow® dans un endroit adapté. NE PAS installer le système OneFlow® près d'une source de chaleur. De même, ne pas installer le système près d'un appareil ou d'une zone qui pourraient être endommagés par de l'eau.

## Présentation du système



## Utilisation du système OneFlow® avec un autre équipement de traitement de l'eau.

En raison des propriétés uniques du système OneFlow®, certaines exigences uniques sont à respecter lors de l'utilisation du système OneFlow® avec un système de filtration ou d'autres formes de traitement de l'eau.

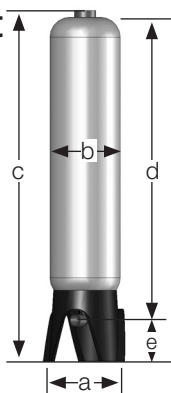
1. Le système OneFlow® doit être situé en dernière place sur la chaîne de traitement. Ne pas installer de filtre après le système OneFlow® ou avant tout appareil nécessitant une prévention contre le tartre. Les filtres au point d'utilisation, tels que les filtres au charbon ou à osmose inverse, ne sont pas concernés par cette exigence.
2. Ne pas appliquer de phosphate ou d'autre produit antitartre avant ou après le système OneFlow®.

## Spécifications de l'équipement

Les systèmes OneFlow® sont complets, autonomes, chargés de média filtrant et prêts à l'emploi. Un simple raccord d'entrée et de sortie est requis pour l'installation. Consulter les pressions, températures et limites chimiques de l'eau pour le fonctionnement afin d'assurer la compatibilité.

### **i** Remarques importantes!

Les conduites de cuivre doivent être passivées pendant au moins 4 semaines avant de faire fonctionner l'appareil. Ne pas utiliser dans des systèmes fermés.



## Spécifications

pH	6,5 à 8,5
Dureté (maximum)	75 grains (1 300 ppm CaCO <sub>3</sub> )
Pression de l'eau	15 psi à 100 psi (103 kPa à 6,9 bar)
Température	5 °C à 43 °C (40 °F à 110 °F)
Chlore	< 3 ppm
Fer (maximum)	0,3 mg/l
Manganèse (maximum)	0,05 mg/l
Cuivre	Non autorisé
Huile et H <sub>2</sub> S	Non autorisé
Polyphosphate	Non autorisé
Silice (maximum)	10 ppm

## Spécifications mécaniques

MODÈLE	1465	1665
Poids sec (livres)	54	68
Poids de fonctionnement (livres)	350	420

## Dimensions (nominales - pouces)

	1465	1665
a	17	17
b	14	16
c*	79	79
d	65	65
e*	10,25	10,50

\* La hauteur hors tout et la hauteur du raccord d'entrée varient en fonction des matériaux et des tolérances d'assemblage. Prévoir un dégagement supplémentaire au-dessus du réservoir pour les raccordements.

## Débit de service maximum (gal./min) par rapport à la température de l'eau

### Systèmes en service continu :

Système	4 °C (40 °F)	7 °C (45 °F)	10 °C (50 °F)	13 °C (55 °F)	16 °C (60 °F)	18 °C (65 °F)	21 °C (70 °F)
14-65	40	44	48	50	50	50	50
16-65	45	51	56	59	63	69	75

### Systèmes en service intermittents :

14-65	189 L/min (50 gpm) à toutes les températures
16-65	284 L/min (75 gpm) à toutes les températures

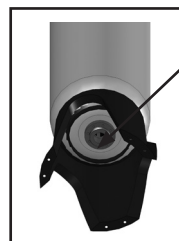
\* Le service intermittent est défini comme moins de 2 heures de débit maximum par période de 24 heures. Les taux de haut débit peuvent être obtenus en combinant les systèmes dans un réseau.

## **i** Remarques importantes!

- Afin d'isoler le réservoir pour l'entretien, nous vous conseillons d'installer un robinet à tournant sphérique d'union double à l'entrée et à la sortie.
- Une vanne de dérivation complète doit être installée pour que le débit d'utilisation total puisse être dévié du système pour l'entretien.
- Le système OneFlow® fonctionne en mode Courant ascendant, ce qui est l'opposé d'un adoucisseur conventionnel. L'entrée se trouve en bas et la sortie en haut.

## Installation

### Serrer les douilles du réservoir



Douille du réservoir.  
Tourner dans le sens horaire pour serrer.

Allonger le réservoir au sol et vérifier les douilles sur l'entrée et la sortie (en haut et en bas) du réservoir. Elles se desserrent généralement lors du transport. Serrer les douilles avec une clé à sangle selon le besoin.

### Installation de la tuyauterie

Raccordez la tuyauterie d'entrée et de sortie selon vos préférences, et dans le respect de tout code local applicable. Incluez des raccords d'échantillon/d'évacuation avec des connexions de robinet d'arrosage sur la tuyauterie d'entrée et de sortie afin de faciliter le démarrage et l'entretien.

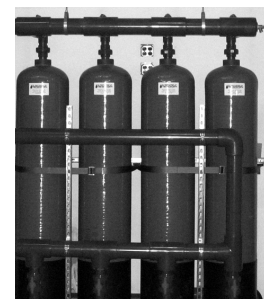


### **i** Remarques importantes!

Il est très important d'utiliser des raccords flexibles sur la tuyauterie d'entrée et de sortie. Les réservoirs se dilatent et se contractent avec les variations de pression d'eau. Des raccords flexibles empêcheront les fuites au niveau du réservoir et de la tuyauterie. Commandez la pièce numéro C515285 pour raccords flexibles Watts de 5 cm (2 po). Il vous en faudra 2 pour l'installation.

### **!** Support de la tuyauterie

Le poids total de la tuyauterie et des robinets doit être supporté par des attaches de tuyaux Unistrut ou d'autres moyens. Les raccords du réservoir ne peuvent pas supporter le poids de la tuyauterie. Cette photo illustre une installation à plusieurs réservoirs avec une tuyauterie adéquatement supportée.



## Mise en route

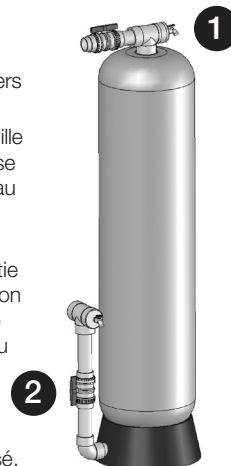
Raccorder une conduite sur l'embout de la sortie du réservoir. Acheminer la conduite vers une évacuation.

Ouvrir lentement/partiellement le robinet à bille de l'eau d'alimentation. Laisser le réservoir se remplir d'eau lentement. Lorsqu'un filet d'eau régulier apparaît au niveau de l'évacuation, fermer le robinet d'alimentation en eau.

Ouvrir les robinets d'alimentation et de sortie du système. Mettre les robinets de dérivation de la position de dérivation à la position de service. Ouvrir un robinet proche en aval du système OneFlow® pour dissiper l'air.

Inspecter pour toute fuite éventuelle. Effectuer les réparations nécessaires.

Le système est maintenant prêt à être utilisé.

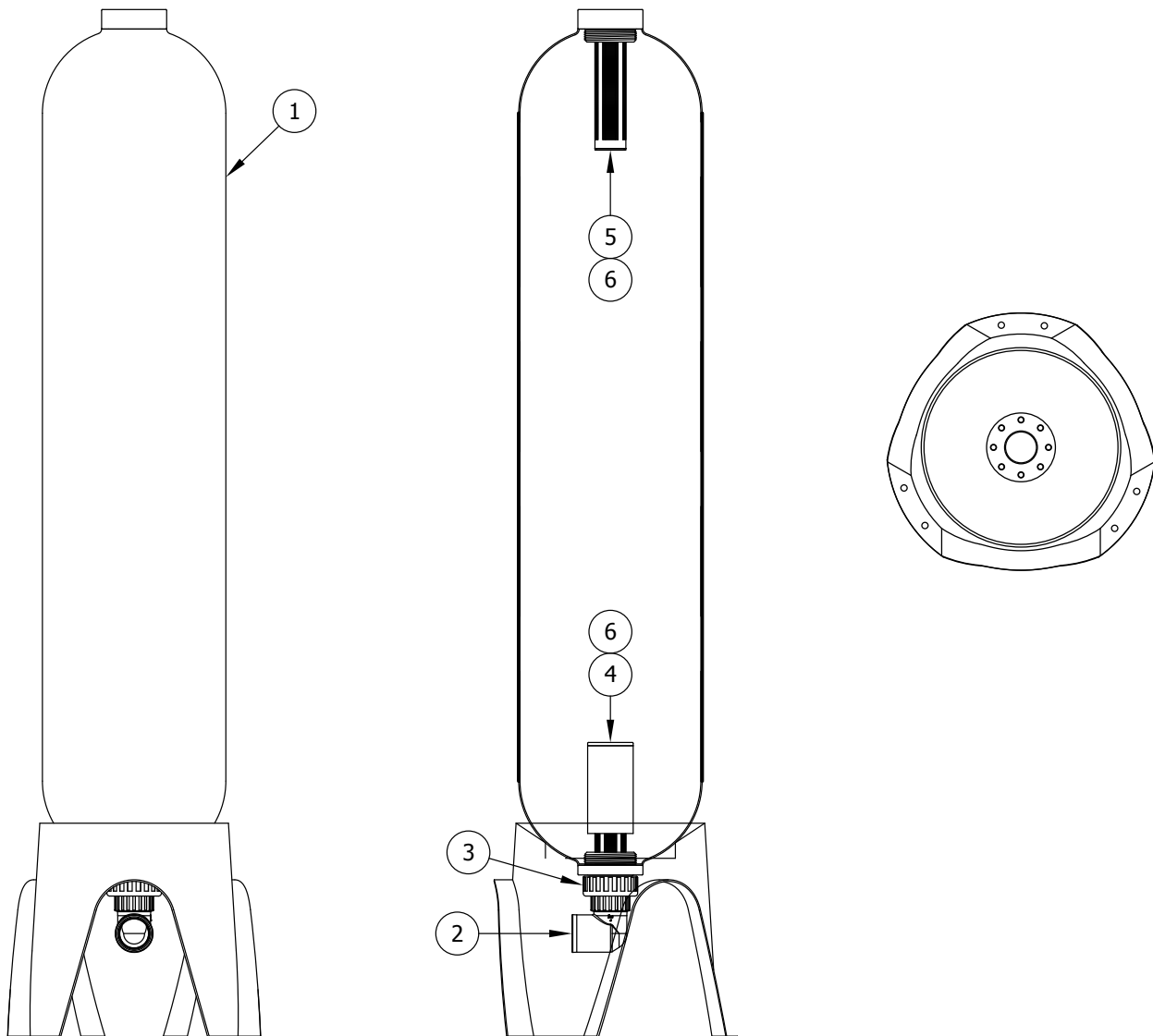


## Liste des pièces

Article	QTÉ	N° EDP	DESCRIPTION
1	1	VOIR LE TABLEAU CI-DESSOUS	VOIR LE TABLEAU CI-DESSOUS POUR LES TAILLES DE RÉSERVOIR DISPONIBLES
2	1	7300740	COUDE PLB PVC SCH 80 2,00 PO (5 CM) STREET SOC X SPIG
3	1	7300741	UNION PLB PVC SCH 80 2,00 PO (5 CM) SXS
4	1	7300421	DOUILLE DE RÉSERVOIR 4 PO (10 CM) T X 2 PO (5 CM) SOC AVEC ÉCRAN DISTRIBUTEUR ET COUPE
5	1	7300423	DOUILLE DE RÉSERVOIR 4 PO (10 CM) T X 2 PO (5 CM) SOC AVEC ÉCRAN DISTRIBUTEUR
6	1	7300420	JOINT TORIQUE NUMÉRO 348 EPDM F/TÊTE PVC
-	2	C515285	TUYAU 2 PO (5 CM) MX 2 PO (5 CM) MNPT SF FLEX ASSY DE 12 PO (30 CM) DE LONG (VENDU SÉPARÉMENT)
-	1	0002159	SUPPORT DE REMPLACEMENT OF1465RM (VENDU SÉPARÉMENT)
-	1	0002160	SUPPORT DE REMPLACEMENT OF1665RM (VENDU SÉPARÉMENT)

## Tailles de réservoir

Article	QTÉ	N° DE PIÈCE	DESCRIPTION
1	1	7300742	RÉSERVOIR NOIR 14 PO (35 CM) X 65 PO (165 CM) DE 4 PO (10 CM) - NUMÉRO 8 OUVERTURE SUR LE DESSUS ET LE DESSOUS (50 GPM)
1	1	7300743	RÉSERVOIR NOIR 16 PO (40 CM) X 65 PO (165 CM) DE 4 PO (10 CM) - NUMÉRO 8 OUVERTURE SUR LE DESSUS ET LE DESSOUS (75 GPM)





## Garantie limitée

Watts Regulator Company garantit le système du réservoir OneFlow® de la façon suivante :

- Le système du réservoir OneFlow® est garanti exempt de vices de matériau et de main d'œuvre pour une durée de 5 ans à compter de la date d'expédition d'origine.
- Le média filtrant OneFlow® est garanti pour une période de 2 ans à compter de la date d'installation initiale lorsqu'il est installé et utilisé conformément aux instructions du manuel d'installation et de fonctionnement.

Watts Regulator Company garantit le système de cartouche OneFlow® de la façon suivante :

- Le système de cartouche OneFlow® est garanti exempt de vices de matériau et de main d'œuvre pour une durée d'un an à compter de la date d'expédition d'origine.
- Les cartouches OneFlow® sont garanties pour une période d'un an à compter de la date d'installation initiale lorsqu'elles sont installées et utilisées conformément aux instructions du manuel d'installation et de fonctionnement.
- Les cartouches de filtre au charbon de rechange ne sont pas garanties car la durée de vie des cartouches au charbon varie grandement en fonction des conditions et du volume de l'eau locale.

## Conditions

1. Le système OneFlow® doit être installé dans des applications fournies en eau par la municipalité dans le respect des directives de l'EPA, à l'exception du cuivre et du chlore. Consultez les avertissements concernant le cuivre EN page 2, ainsi que la condition numéro 5 ci-dessous.
2. Les défaillances de composant ne doivent pas être causées par un abus, un incendie, le gel ou d'autres phénomènes naturels, des actes de violence ou une installation erronée.
3. L'équipement doit être installé et utilisé conformément au code de plomberie en vigueur et avec une alimentation en eau approuvée.
4. L'équipement doit être utilisé à des pressions et des températures d'eau ne dépassant les spécifications indiquées.
5. La teneur en chlore de l'eau ne doit pas dépasser 2,0 ppm. Pour une eau présentant une teneur en chlore supérieure à 2,0 ppm, un pré-traitement de l'eau est requis. (Merci de contacter le spécialiste de traitement de l'eau.)
6. Les informations, incluant le numéro de modèle, le numéro de série et la date d'installation, doivent être fournies pour toute réclamation dans le cadre de la garantie.
7. Les pièces défectueuses seront soumises à une inspection par Watts Regulator Company ou par un représentant agréé avant que le recours en garantie final ne soit accepté.
8. Watts Regulator Company se réserve le droit de remplacer ou de changer les pièces ou l'équipement par un matériau de qualité et de valeur égales et en cours de production.

## Limitations

Notre obligation dans le cadre de cette garantie et concernant la cuve ou le robinet est limitée au remplacement ou à la réparation, à notre choix, de toute pièce jugée défectueuse dans la période de garantie indiquée ci-dessus. Ces pièces de rechange seront fournies gratuitement au propriétaire FAB à l'usine la plus proche à l'exception des frais de transport et de main d'œuvre locale, le cas échéant.

Notre obligation dans le cadre de cette garantie par rapport au média filtrant OneFlow® sera limitée à son remplacement dans les deux années suivant la date d'installation d'origine. Le média filtrant de rechange sera fourni gratuitement au propriétaire FAB à l'usine la plus proche à l'exception des frais de transport et de main d'œuvre locale, le cas échéant. Les dommages du média filtrant dus au chlore, aux oxydants et à l'encrassement provoqués par les conditions de l'eau ou une utilisation en dehors des limites spécifiées ne sont pas couverts par cette garantie.

LA PRÉSENTE GARANTIE EST EXPRESSE ET REPRÉSENTE LA SEULE GARANTIE OFFERTE PAR WATTS REGULATOR COMPANY POUR CE PRODUIT. WATTS REGULATOR COMPANY N'OFFRE AUCUNE AUTRE GARANTIE EXPRESSE OU IMPLICITE. PAR LA PRÉSENTE, WATTS REGULATOR COMPANY REJETTE SPÉCIFIQUEMENT TOUTE AUTRE GARANTIE, EXPRESSE OU IMPLICITE, NOTAMMENT TOUTE GARANTIE IMPLICITE DE QUALITÉ MARCHANDE OU D'ADAPTATION À UN BUT PARTICULIER.

Le remède décrit dans cette garantie constitue le seul recours à toute rupture de la présente garantie et Watts Regulator Company ne saurait être tenue responsable de tout dommage spécial, accessoire ou consécutif, y compris, mais non exclusivement : le transport, la manutention, la perte de profits ou le coût afférent à la réparation ou au remplacement d'autres biens qui seraient endommagés par suite du fonctionnement incorrect dudit produit; d'autres coûts afférents aux frais de main-d'œuvre; délais, vandalisme, négligence, encrassement occasionné par la présence de matériau étranger; dommages résultant d'une eau impropre, de produits chimiques ou de tout autre événement sur lequel Watts Regulator Company ne saurait exercer le moindre contrôle. La présente garantie est déclarée nulle et non avenue en cas d'abus, de mésusage, d'application ou d'installation erronée de ce produit.

Certains États ou certaines Provinces n'autorisent pas la limite de durée d'une garantie implicite ou l'exclusion ou limite de dommages directs ou indirects. C'est pourquoi les limites ou exclusions susmentionnées peuvent ne pas s'appliquer à vous. Cette garantie vous donne des droits légaux précis et il se peut que vous ayez aussi d'autres droits qui varient d'une province, d'un état ou d'une juridiction à l'autre. Veuillez vous référer aux lois d'état ou de province applicables pour déterminer vos droits en la matière. DANS LA MESURE PERMISE PAR LA LOI, TOUTE GARANTIE IMPLICITE NE POUVANT PAS ÊTRE REJETÉE, Y COMPRIS LES GARANTIES IMPLICITES DE QUALITÉ MARCHANDE ET D'ADAPTATION À UN BUT PARTICULIER, SONT LIMITÉES AUX DURÉES DE GARANTIE APPLICABLES INDIQUÉES CI-DESSUS.

**AVERTISSEMENT:** Ce produit contient des produits chimiques reconnus par l'État de Californie comme étant cancérigènes et pouvant provoquer des anomalies congénitales ou affecter la capacité de reproduction.  
**Pour plus d'informations :** [www.watts.com/prop65](http://www.watts.com/prop65)



Une entreprise de Watts Water Technologies

États-Unis : 815 Chestnut St., No. Andover, MA 01845-6098; [www.watts.com](http://www.watts.com)

Canada : 5435 North Service Rd., Burlington, ONT. L7L 5H7; [www.wattscanada.com](http://www.wattscanada.com)