

# ELKAY®

## SPECIFICATIONS

### EZH2O® Bottle Filling Station Non-Electric, Surface Mount Model EMASM

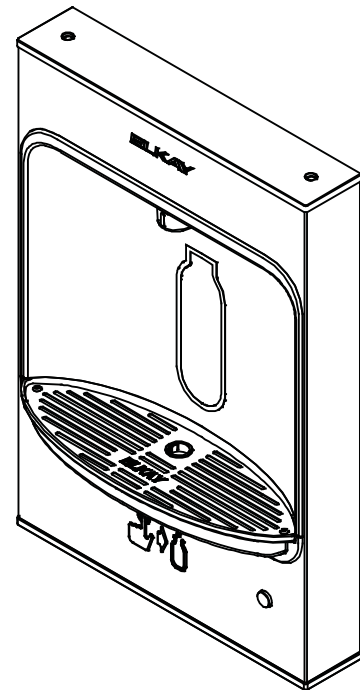
\*Rated for Indoor Use Only

#### PRODUCT SPECIFICATION

Surface Mount bottle filling station designed for installations without the need for electricity. Bottle filler shall provide 1.0 gpm flow rate with laminar flow to minimize splashing. Shall include integrated silver ion antimicrobial protection in key areas. Unit shall meet ADA guidelines. Unit shall be a Lead-free design which is certified to NSF/ANSI 61 and 372 and meets Federal and State low-lead requirements.

#### STANDARD FEATURES

- Complete mechanical activation and function. No electrical connection required.
- Quick Fill Rate of 1 gallon per minute.
- Integrated Silver Ion Anti-microbial Protection in key areas.
- Laminar Flow provides minimal splash.
- Real Drain System eliminates standing water.
- No bubbler required.
- Optional remote chiller can be installed within 15 feet of unit to deliver chilled drinking water.



Model EMASM

#### CONSTRUCTION

- Stainless steel bottle filler wrapper with ABS plastic alcove.
- Includes robust hanging bracket for surface mount.

#### CAPACITIES CHART

Model	Voltage	Chilling Capacity	Approx Ship Wt.
EMASM	N/A	N/A unless connected to remote chiller	20

*The above ratings apply only to the EMASM unit. Ratings for the chiller not included.*

**Warranty:** Water system is warranted for 12 months from date of installation or 18 months from factory shipment, whichever date falls first.

#### CERTIFICATIONS / STANDARDS

- ADA Compliant
- ANSI/NSF 61 and 372 Certified



This specification describes an Elkay product with design, quality and functional benefits to the user. When making a comparison of other producer's offerings, be certain these features are not overlooked.

**EZH20® Bottle Filling Station**  
**Filtered Surface Mount**  
**Model EMASM**

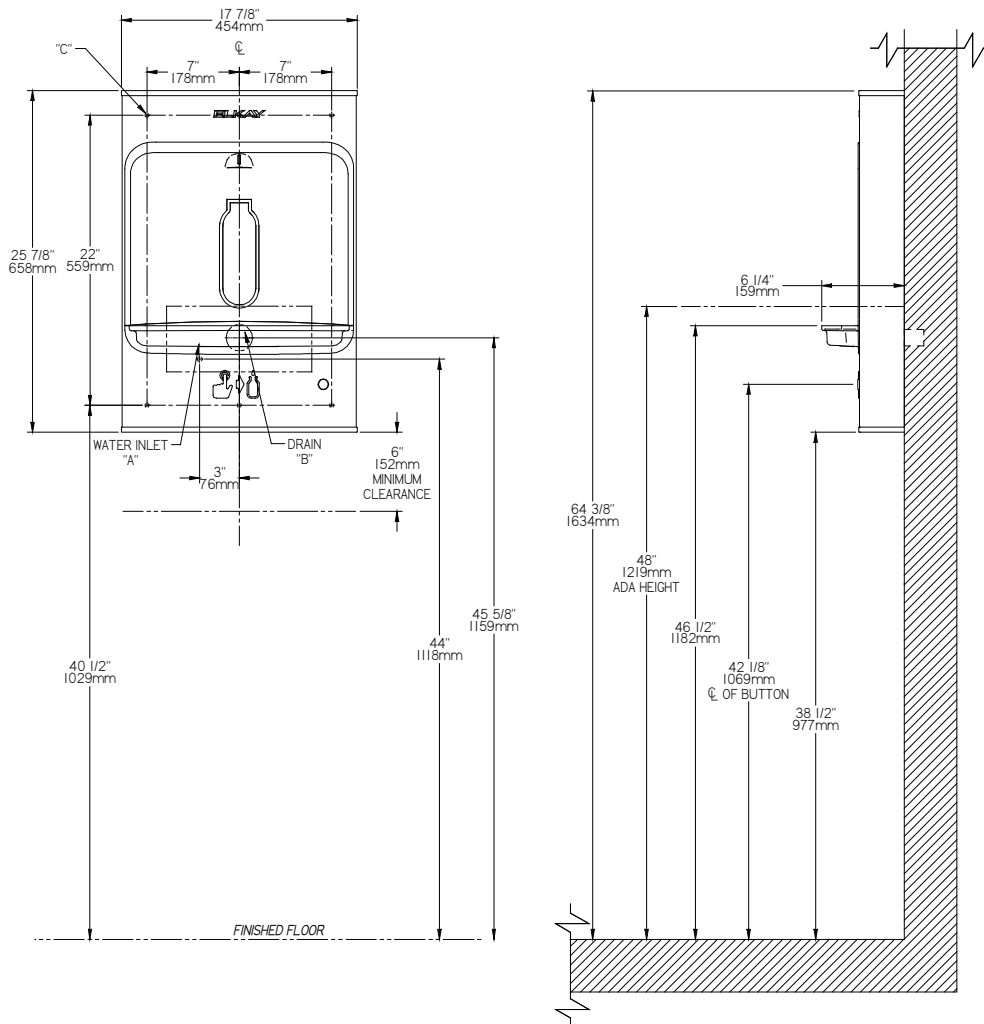
**ELKAY®**  
**ROUGH-IN DIMENSIONS**

**IMPORTANT!**

**INSTALLATION NOTES:**

- Ensure wall is structurally sound to bear the loads imparted by the Surface Mount Bottle Filler.

**ADA Stand Alone Mounting**



**LEGEND:**

- A = RECOMMENDED WATER SUPPLY LOCATION;  
 1/2" IPS MAXIMUM PIPE SIZE.  
 SERVICE STOP VALVE NOT FURNISHED.
- B = RECOMMENDED WASTE LOCATION.  
 WASTE SHOWN IN WALL BUT MAY BE BEHIND WALL.  
 OUTLET 1-1/4" O.D. (TRAP NOT FURNISHED)
- C = 7/16" X 3/4" OBOUNDRD MOUNTING HOLES FOR FASTENING  
 BACKPLATE TO WALL.

Job Name:	_____
Date:	_____ Qty. _____
Contact Info (Name, Phone, Email):	_____
Approval:	_____

# EZH20<sup>®</sup> Bottle Filling Station Filtered Surface Mount Model EMASM

# ELKAY<sup>®</sup>

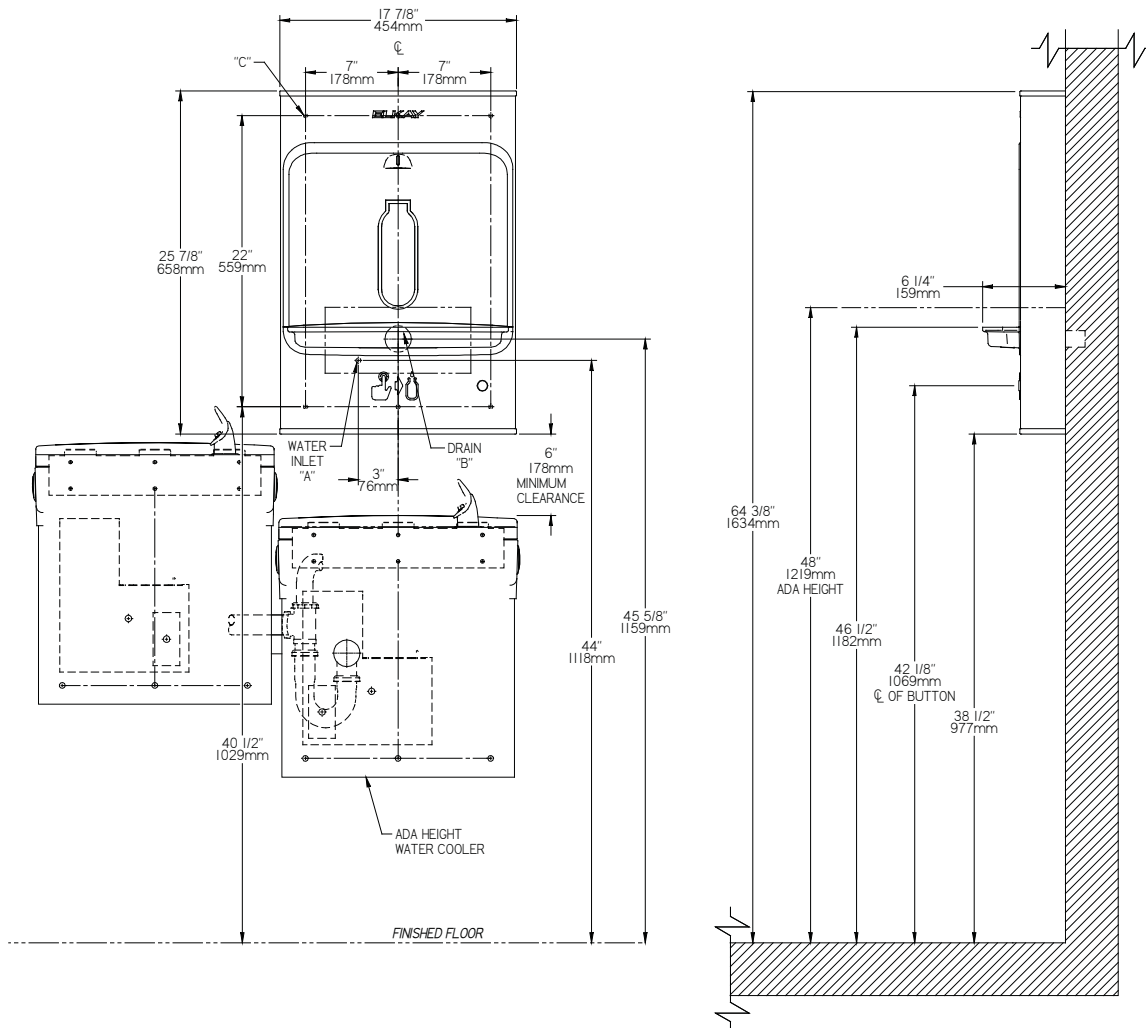
## ROUGH-IN DIMENSIONS

### IMPORTANT!

### INSTALLATION NOTES:

- Ensure wall is structurally sound to bear the loads imparted by the Surface Mount Bottle Filler.

### ADA Above Cooler Mounting



#### LEGEND:

- A = RECOMMENDED WATER SUPPLY LOCATION;  
1/2" IPS MAXIMUM PIPE SIZE.  
SERVICE STOP VALVE NOT FURNISHED.
- B = RECOMMENDED WASTE LOCATION.  
WASTE SHOWN IN WALL BUT MAY BE BEHIND WALL.  
OUTLET 1-1/4" O.D. (TRAP NOT FURNISHED)
- C = 7/16" X 3/4" OBOUNDRD MOUNTING HOLES FOR FASTENING  
BACKPLATE TO WALL.

Job Name: _____	
Date: _____	Qty. _____
Contact Info (Name, Phone, Email): _____	
_____	
_____	
Approval: _____	